



pronutec
gorlan team

方形熔断器式隔离开关

Fuse Switch Disconnectors

> > www.pronutec.com > > > > > >

gorlan
team

方形熔断器式隔离开关 / Three pole horizontal design fuse switch disconnectors

特点 / Features

安装方式 / TYPES OF MOUNTING

- 固定安装 / Panel mounting
- 60mm母线系统安装 / 60mm busbar mounting
- 卡轨式安装 / DIN rail



母排安装 / Busbar mounting

保护与安全 / PROTECTION AND SAFETY

• 简单安全安装在母排上

- 母排无打孔安装
- 不需要安装工具
- 安装在正确位置自动锁住

• Easy and safe installation on busbar

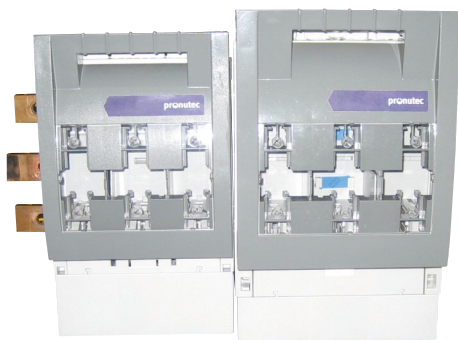
- Installation without drilling the busbars
- No tools needed for installation
- Automatic locking when installed in the right position

• 附件

- 在合闸状态锁住
- 出线保护罩
- 开关状态指示

• Wide range of accessories

- Padlockable in closed position
- Cover for connecting space
- Micro switch for open / close position



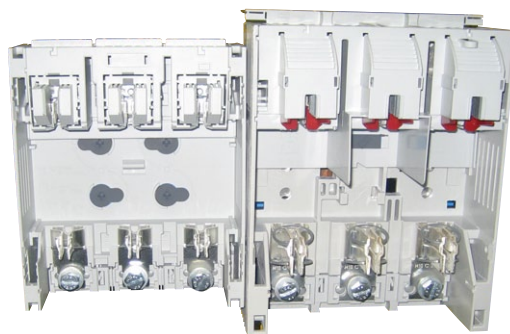
出线保护罩 / Cover for connecting space

• 电缆安全连接

防护罩由2个单独的来提供电缆安全连接，而相反的触头仍是盖住的

• Safe cables connection

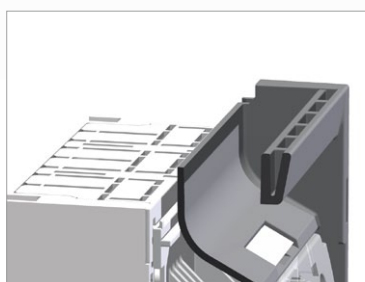
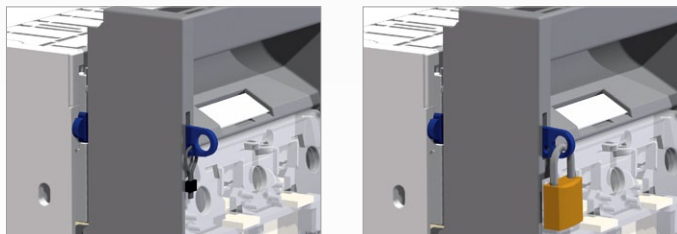
Contact covers in 2 pieces provide safe connection of cables, while the opposite contacts remain covered.



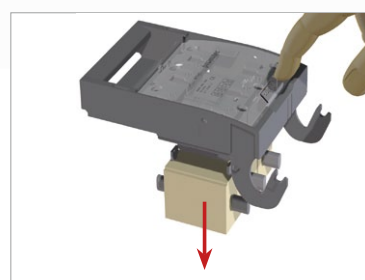
▶ BTHC00型的更多特点 / More Features for NH-00 type

铅封装置：铅封/挂锁装置直接安装在本体上

Sealing device: The sealing/padlocking of the fuse holder made directly on the socle.



防触摸
Hand protection

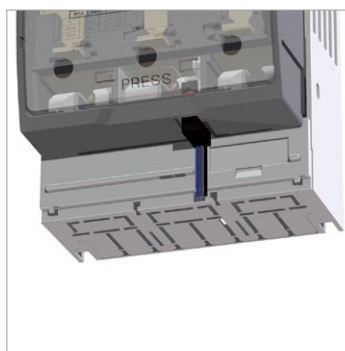


拆卸熔断器更舒适
External comfortable
fuses removal

▶ 附件 / Accessories

根据市场需求，附件种类多，有铭牌，微动开关，保护罩，框架，电子式熔断器监控，DIN卡轨式安装套件，60mm母线安装方式等。

The range includes a wide variety of accessories and terminals demanded by the market: labels, micro-switch, connection cover, frames, electronic fuse monitoring, DIN rail installation kit, 60 mm busbar version.



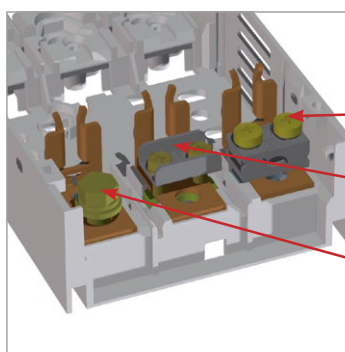
微动开关
Micro-switch



框架
Frame



铭牌
Labels



棱型端子
Prism terminal

桥型端子
Bridge clamp

螺栓连接
Connection screw
for lug

方形熔断器式隔离开关 / *Three pole horizontal design fuse switch disconnectors*

范围 / *Range*

方形熔断器式隔离开关 BTHC,NH-000,125A

Three pole horizontal design fuse switch disconnectors, BTHC, NH-000, 125 A

订货号 <i>Reference</i>	型号 <i>Type</i>	安装方式 <i>Mounting Type</i>	电流 <i>Current</i>	接线端子 <i>Terminal type</i>	出线方式 <i>Connections</i>	熔断器尺码 <i>Fuse link</i>
32212161	BTHC000-60/BT	60mm母线系统 <i>60mm busbar mounting</i>	125 A	端子连接 <i>Box termina</i>	顶部/底部出线 <i>Bottom / Top connection</i>	NH-000
32112171	BTHC000-BT	固定安装 <i>Panel mounting</i>				

对卡轨式安装：固定安装订货号+快速卡轨安装套件(订货号：43208029)。

For DIN rail mounting: Panel mounting refence + Rapid mounting set for DIN rail (Ref: 43208029).



方形熔断器式隔离开关 / Three pole horizontal design fuse switch disconnectors

方形熔断器式隔离开关 BTHC,NH-000,125A 接线端子

Terminals Three pole horizontal design fuse switch disconnectors, BTHC, NH-000, 125 A






接线端子
BOX TERMINAL

	rm	re
mm ²	1,5-50	1,5-50
Nm	4	

方形熔断器式隔离开关 BTHC,NH-000,125A 附件

Accessories Three pole horizontal design fuse switch disconnectors, NH-000, 125 A

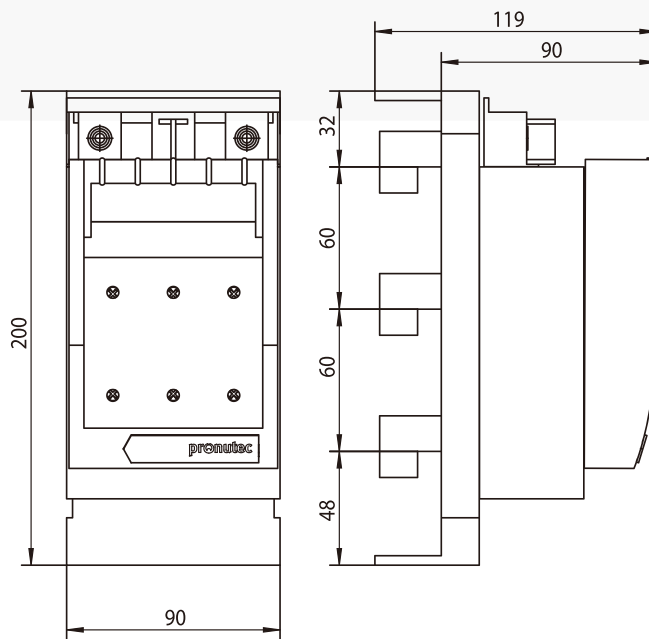
图型 Item	描述 Description	订货号 Reference
母排安装及固定安装的附件 / Accessories for both busbar mounting and panel mounting		
	联锁装置 Lid interlock for sealing wire	43208001
	开关状态指示 Micro-switch for open / close position	43208004
固定安装的附件 / Exclusive accessories for panel mounting		
	卡轨式安装配件套件 Rapid mounting set, for 1 DIN rail	43208029

方形熔断器式隔离开关 / Three pole horizontal design fuse switch disconnectors

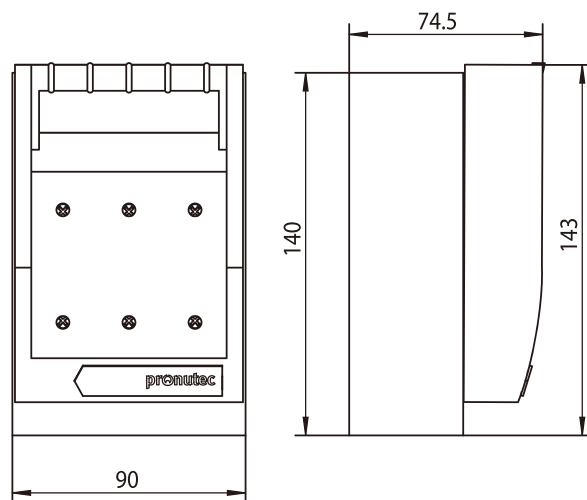
方形熔断器式隔离开关 BTHC, NH-000, 125A 尺寸图

Dimensions Three pole horizontal design fuse switch disconnectors, BTHC, NH-000, 125 A

母排安装 / Busbar mounting



固定安装 / Panel mounting



方形熔断器式隔离开关 / Three pole horizontal design fuse switch disconnectors

范围 / Range

方形熔断器式隔离开关 BTHC ,NH-00,160A

Three pole horizontal design fuse switch disconnectors, BTHC, NH-00, 160 A

订货号 Reference	型号 Type	安装方式 Mounting Type	电流 Current	接线端子 Terminal type	出线方式 Connections	熔断器尺码 Fuse link
32220101	BTHC00-60/BC	60mm母线系统 60mm busbar mounting	160 A	端子连接 Box termina	顶部/底部出线 Bottom / Top connection	NH-00
32220102	BTHC00-60			螺栓连接 Connection screw M8		
32120101	BTHC00-BC	固定安装 Panel mounting		端子连接 Box termina		
32120102	BTHC00			螺栓连接 Connection screw M8		

对卡轨式安装：固定安装订货号+快速卡轨安装套件(订货号：43208030)。

For DIN rail mounting: Panel mounting refence + Rapid mounting set for DIN rail (Ref: 43208030).

160 A



母排安装 / Busbar mounting



固定安装 / Panel mounting

方形熔断器式隔离开关 / *Three pole horizontal design fuse switch disconnectors*

方形熔断器式隔离开关 BTHC,NH-00,160A 附件

Accessories Three pole horizontal design fuse switch disconnectors, NH-00, 160 A

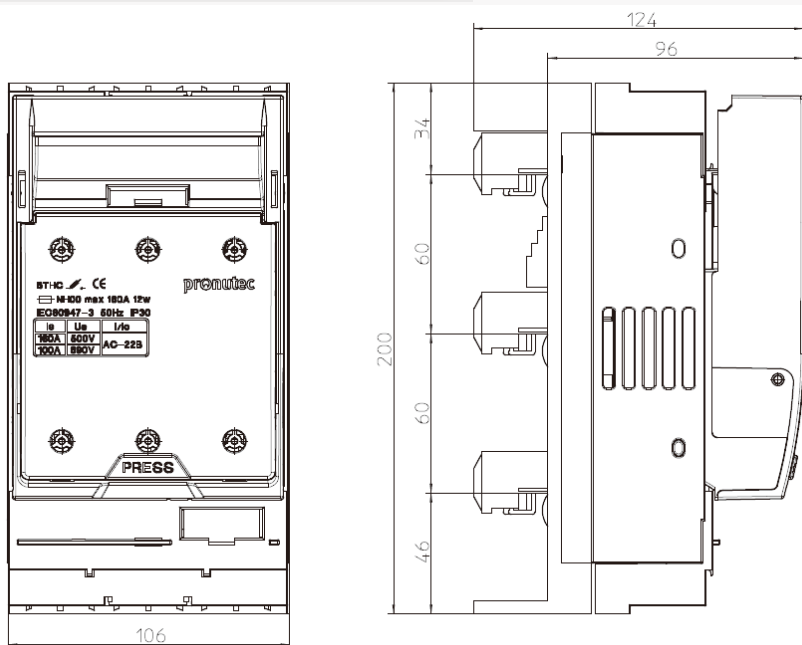
产品 Item	描述 Description	订货号 Reference
母排安装及固定安装通用附件 / <i>Accessories for both busbar mounting and panel mounting</i>		
	棱形接线端子 <i>Prism terminal</i>	43208019
	联锁装置 <i>Lid interlock for fuse switch-disconnector</i>	43208002
	开关状态指示 <i>Micro-switch for open / close position</i>	43208004
	保护罩 <i>Cover for connecting space</i>	43208014
	电子式熔断器监测装置 <i>Electronic fuse monitoring lid</i>	43208032
	机械式熔断器监测装置 <i>Electromechanical fuse monitoring lid</i>	43208036

方形熔断器式隔离开关 / Three pole horizontal design fuse switch disconnectors

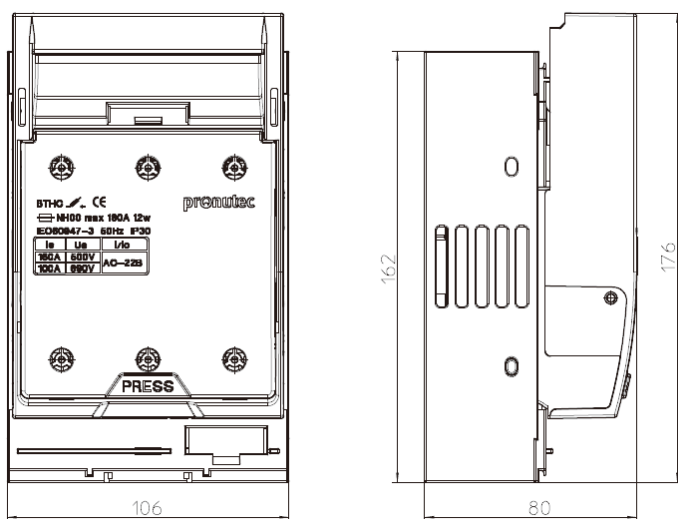
方形熔断器式隔离开关 BTHC,NH-00,160A 尺寸图

Dimensions Three pole horizontal design fuse switch disconnectors, BTHC, NH-00, 160 A

母排安装 / Busbar mounting



固定安装 / Panel mounting



方形熔断器式隔离开关 / Three pole horizontal design fuse switch disconnectors

范围 / Range

方形熔断器式隔离开关 BTHC,NH-1,250A

Three pole horizontal design fuse switch disconnectors, BTHC, NH-1, 250 A

订货号 Reference	型号 Type	安装方式 Mounting Type	电流 Current	接线端子 Terminal type	出线方式 Connections	熔断器尺码 Fuse link
32236001	BTHC1-60/BT	60mm母线系统 60mm busbar mounting	250 A	端子连接 Box termina	顶部/底部出线 Bottom / Top connection	NH-1
32236013	BTHC1-60			螺栓连接M10 Connection screw M10		
32133931	BTHC1-BT	固定安装 Panel mounting		端子连接 Box termina		
32132013	BTHC1			螺栓连接M10 Connection screw M10		

对卡轨式安装：固定安装订货号+快速卡轨安装套件(订货号：43208031)

For DIN rail mounting: Panel mounting refence + Rapid mounting set for DIN rail (Ref: 43208031).



方形熔断器式隔离开关 / *Three pole horizontal design fuse switch disconnectors*

方形熔断器式隔离开关 BTHC,NH-1,250A 接线端子

Terminals Three pole horizontal design fuse switch disconnectors, BTHC, NH-1, 250 A



接续端子
BOX TERMINAL






螺栓连接 M10
CONNECTION SCREW M10

	mm
mm ²	35-150
Nm	12

mm ²	120
Nm	25

方形熔断器式隔离开关 BTHC,NH-1,250A 附件

Accessories Three pole horizontal design fuse switch disconnectors, NH-1, 250 A

产品 Item	描述 Description	订货号 Reference
母排安装及固定安装通用附件 / <i>Accessories for both busbar mounting and panel mounting</i>		
	双层棱形接线端子 <i>Double prism terminal</i>	43208020
	棱形接线端子 <i>Prism terminal</i>	43208021
	桥形接线端子 <i>Bridge clamp</i>	43208026

方形熔断器式隔离开关 / Three pole horizontal design fuse switch disconnectors

方形熔断器式隔离开关 BTHC,NH-1,250A 附件

Accessories Three pole horizontal design fuse switch disconnectors, BTHC, NH-1, 250 A

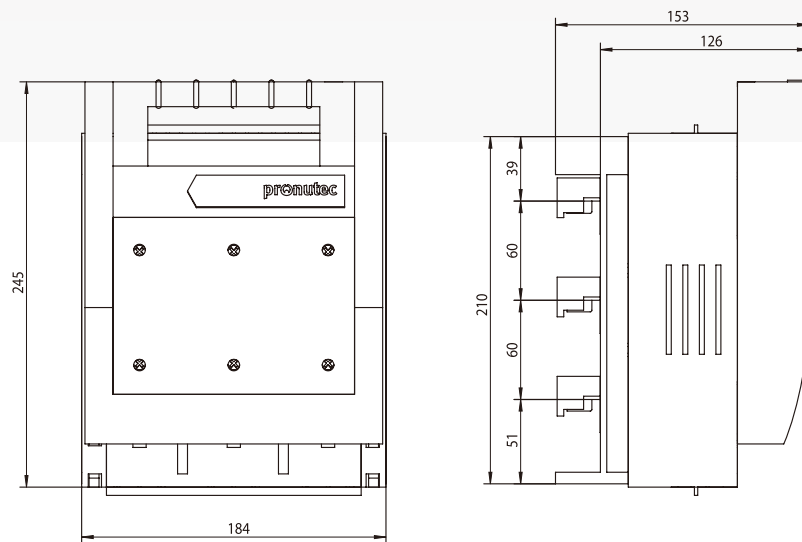
产品 Item	描述 Description	订货号 Reference
母排安装及固定安装通用附件 / Accessories for both busbar mounting and panel mounting		
	联锁装置 Lid interlock for fuse switch-disconnector	43208003
	开关状态指示 Micro-switch for open / close position	43208005
	保护罩 Cover for cable lugs	43208015
	灭弧栅 Arc chamber	43208013
	电子式熔断器监测装置 Electronic fuse monitoring lid	43208033
	机械式熔断器监测装置 Electromechanical fuse monitoring lid	43208037
固定安装附件 / Exclusive accessories for panel mounting		
	快速 DIN 卡轨式安装套件 卡轨中心距125或150mm Rapid mounting set for DIN rail Rails centre distance 125 or 150 mm	43208031

方形熔断器式隔离开关 / *Three pole horizontal design fuse switch disconnectors*

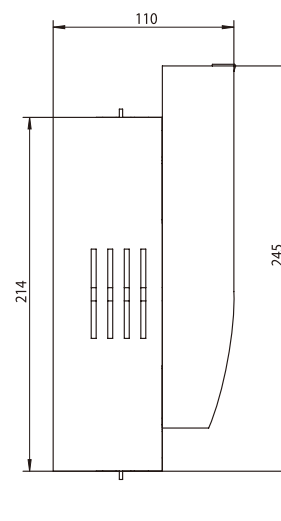
方形熔断器式隔离开关 BTHC,NH-1,250A 尺寸图

Dimensions Three pole horizontal design fuse switch disconnectors, BTHC, NH-1, 250 A

母排安装 / *Busbar mounting*



固定安装 / *Panel mounting*



方形熔断器式隔离开关 / Three pole horizontal design fuse switch disconnectors

范围 / Range

方形熔断器式隔离开关 BTHC,NH-2,400A

Three pole horizontal design fuse switch disconnectors, BTHC, NH-2, 400 A

订货号 Reference	型号 Type	安装方式 Mounting Type	电流 Current	接线端子 Terminal type	出线方式 Connections	熔断器尺码 Fuse link
32246023	BTHC2-60	60mm母线系统 60mm busbar mounting	400A	螺栓连接M10 Connection screw M10	顶部/底部出线 Bottom / Top connection	NH-2
32142023	BTHC2	固定安装 Panel mounting				

对卡轨式安装：固定安装订货号+快速卡轨安装套件(订货号：43208031)

For DIN rail mounting: Panel mounting refence + Rapid mounting set for DIN rail (Ref: 43208031).



方形熔断器式隔离开关 / *Three pole horizontal design fuse switch disconnectors*

方形熔断器式隔离开关 BTHC,NH-2,400A 接线端子

Terminals Three pole horizontal design fuse switch disconnectors, BTHC, NH-2, 400 A



mm ²	240
Nm	35

M10螺栓连接
CONNECTION SCREW M10

方形熔断器式隔离开关 BTHC,NH-2,400A 附件

Accessories Three pole horizontal design fuse switch disconnectors, BTHC, NH-2, 400 A

产品 Item	描述 Description	订货号 Reference
母排安装及固定安装通用附件 / <i>Accessories for both busbar mounting and panel mounting</i>		
	桥接端子 <i>Bridge clamp</i>	43208027
	棱形端子 <i>Prism terminal</i>	43208023
	双层棱形端子 <i>Double prism terminal</i>	43208022

方形熔断器式隔离开关 / Three pole horizontal design fuse switch disconnectors

方形熔断器式隔离开关 BTHC,NH-2,400A 附件

Accessories Three pole horizontal design fuse switch disconnectors, BTHC, NH-2, 400 A

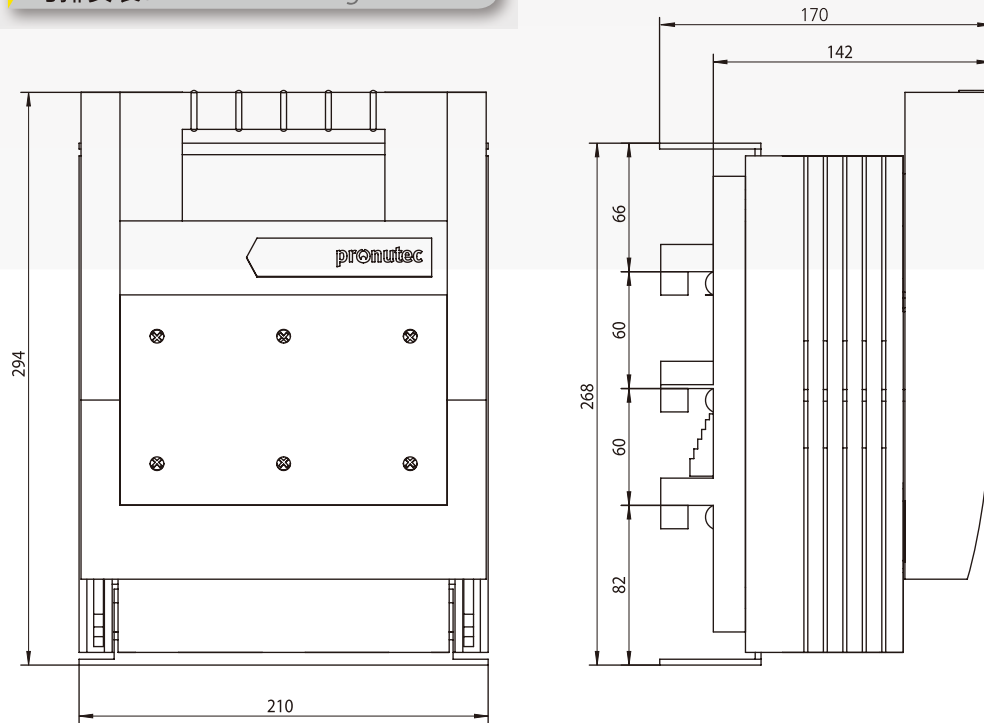
产品 Item	描述 Description	订货号 Reference
母排安装及固定安装通用附件 / Accessories for both busbar mounting and panel mounting		
	联锁装置 <i>Lid interlock for fuse switch-disconnector</i>	43208003
	开关状态指示 <i>Micro-switch for open / close position</i>	43208004
	保护罩 <i>Cover for cable lugs</i>	43208016
	电子式熔断器监测装置 <i>Electronic fuse monitoring lid</i>	43208034
	机械式熔断器监测装置 <i>Electromechanical fuse monitoring lid</i>	43208038
固定安装的附件 / Exclusive accessories for panel mounting		
	快速 DIN 卡轨式安装套件 卡轨中心距125或150mm <i>Rapid mounting set for DIN rail Rails centre distance 125 or 150 mm</i>	43208031

方形熔断器式隔离开关 / *Three pole horizontal design fuse switch disconnectors*

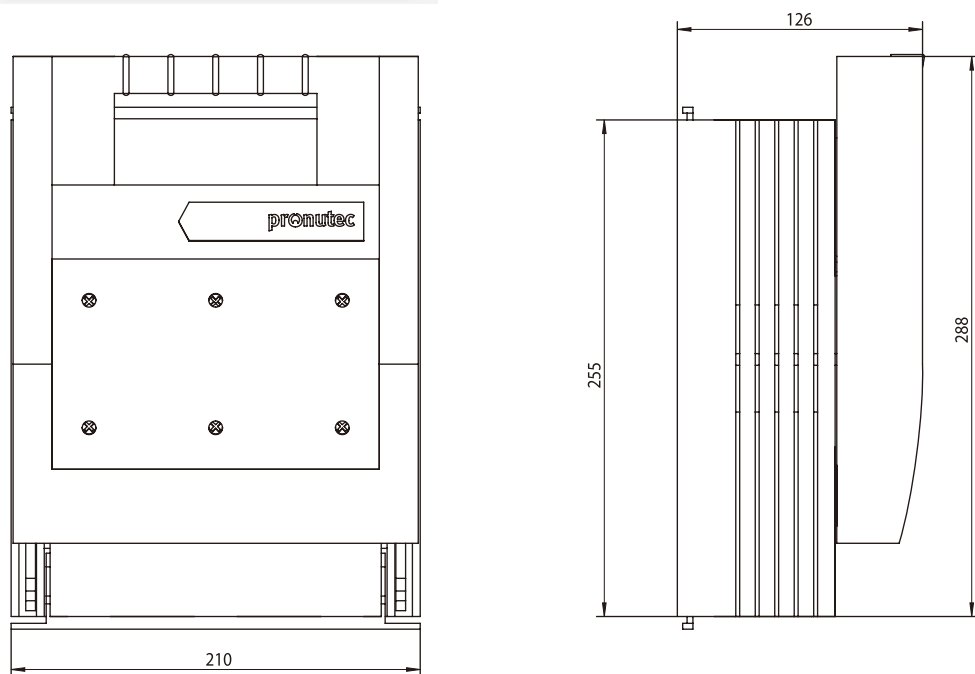
方形熔断器式隔离开关 BTHC,NH-2,400A 尺寸图

Dimensions Three pole horizontal design fuse switch disconnectors, BTHC, NH-2, 400 A

母排安装 / *Busbar mounting*



固定安装 / *Panel mounting*



方形熔断器式隔离开关 / Three pole horizontal design fuse switch disconnectors

范围 / Range

方形熔断器式隔离开关 BTHC,NH-3,630A

Three pole horizontal design fuse switch disconnectors, BTHC, NH-3, 630 A

订货号 Reference	型号 Type	安装方式 Mounting Type	电流 Current	接线端子 Terminal type	出线方式 Connections	熔断器尺码 Fuse link
32256034	BTHC3-60	60mm母线系统 60mm busbar mounting	630A	螺栓连接M12 Connection screw M12	顶部/底部出线 Bottom / Top connection	NH-3
32152034	BTHC3	固定安装 Panel mounting				

630 A



母排安装 / Busbar mounting



固定安装 / Panel mounting

方形熔断器式隔离开关 / Three pole horizontal design fuse switch disconnectors

方形熔断器式隔离开关 BTHC,NH-3,630A 接线端子

Terminals Three pole horizontal design fuse switch disconnectors, BTHC, NH-3, 630 A





mm ²	2 x 185
Nm	40

M12螺栓连接
CONNECTION SCREW M12

方形熔断器式隔离开关 NH-3,630A 附件

Accessories Three pole horizontal design fuse switch disconnectors, NH-3, 630 A

产品 Item	描述 Description	订货号 Reference
母排安装及固定安装通用附件 / Accessories for both busbar mounting and panel mounting		
	棱形端子 Prism terminal	43208025
	双层棱形端子 Double prism terminal	43208024
	桥接端子 Bridge clamp	43208028

方形熔断器式隔离开关 / Three pole horizontal design fuse switch disconnectors

方形熔断器式隔离开关 NH-3,630A 附件

Accessories Three pole horizontal design fuse switch disconnectors, NH-3, 630 A

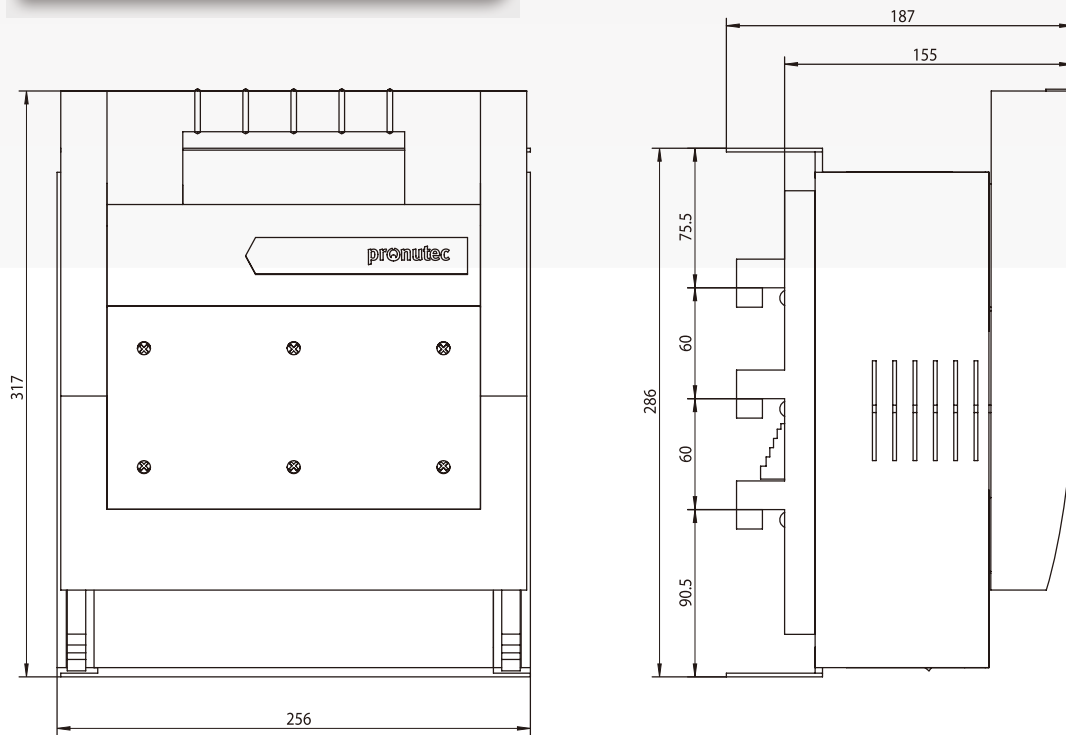
产品 Item	描述 Description	订货号 Reference
母排安装及固定安装通用附件 / Accessories for both busbar mounting and panel mounting		
	联锁装置 Lid interlock for fuse switch-disconnector	43208003
	开关状态指示 Micro-switch for open / close position	43208004
	保护罩 Cover for cable lugs	43208017
	电子式熔断器监测装置 Electronic fuse monitoring lid	43208035
	机械式熔断器监测装置 Electromechanical fuse monitoring lid	43208039

方形熔断器式隔离开关 / Three pole horizontal design fuse switch disconnectors

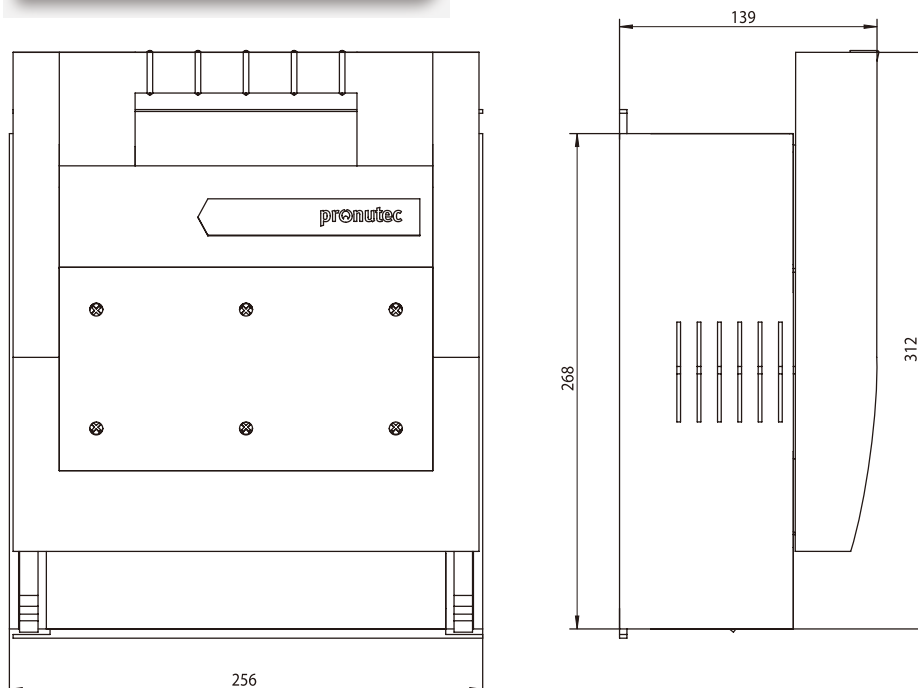
方形熔断器式隔离开关 BTHC,NH-3,630A 尺寸图

Dimensions Three pole horizontal design fuse switch disconnectors, BTHC, NH-3, 630 A

母排安装 / Busbar mounting



固定安装 / Panel mounting



技术参数 / Technical Data

IEC/EN 60947-3		型号 / Type →	NH 类型 / Type 432															
			125 A			160 A			250 A			400 A			630 A			
电气特性 Electrical characteristics	额定电压 Rated operational voltage	U_e (V)	AC 500	AC 690	DC 440	AC 500	AC 690	DC 440	AC 400	AC 690	DC 440	AC 400	AC 690	DC 440	AC 400	AC 690	DC 440	
	额定电流 Rated operational current	I_e (A)	125			160			250			400			630			
	额定频率 Rated frequency	(Hz)	40-60															
	额定冲击电压 Rated insulation voltage	U_i (V)	800															
	短路分断电流 Rated conditional short-circuit current	(kA_{off})	50			80			80			50			50			
	使用类别 Utilization category	U_i (V)	AC- 22B	AC- 21B	DC- 22B (63 A)	AC- 22B	AC- 22B	DC- 21B (100 A)	AC- 22B	AC- 21B	DC- 20B	AC- 23B	AC- 22B	DC- 22B	AC- 23B	AC- 22B	DC- 22B	
	额定冲击耐受电压 Rated impulse withstand voltage	U_{imp} (kV)	6															
机械特性 Mechanical characteristics	安装方式 / Mounting Type			BM	PM	BM	PM	BM	PM	BM	PM	BM	PM	BM	PM			
	尺寸 Dimensions	宽度 Width	(mm)	90	90	106	106	184	184	210	210	256	256					
		高度 Height	(mm)	200	143	200	176	245	245	294	288	317	312					
		深度 Depth	(mm)	90	74,5	97	81	126	110	142	126	155	139					
重量 Weight		(kg)	1,13	0,57	1,03	0,77	2,66	1,71	5,22	3,62	7,56	4,9						
熔断器 Fuse links	尺码 / Size		-	000			00			1			2			3		
	最大允许熔断器的功率损耗 Max. permis. power loss per fuse-link		P_v (W)	9			12			23			34			48		
接线端子 Terminals	螺栓连接 Connection screw			-			M8 70mm ²			M10 120mm ²			M10 240mm ²			M12 2x185mm ²		
	桥形连接端子 Bridge clamp			-			Cu 1,5-70mm ² r(m)			Cu 70-150mm ² r(m)			Cu 120-240mm ² r(m)			Cu 150-300mm ² r(m)		
	框形连接端子 Box terminal			Cu 1,5-50mm ² r(e), r(m)			Cu 1,5-70mm ² r(e), r(m)			Cu 35-150mm ² r(m)			-			-		
防护等级 Protection degree	正面操作 Front operated switchgear fitted	-	IP30															

BM-母排安装 / Busbar mounting | PM-固定安装 / Panel mounting