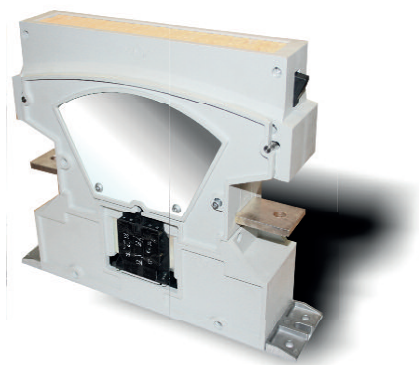


Switches



LTCH10001*A03

Type	LTCH 1000
Number of Poles	1 NO
Mounting Position	Horizontal - Vertical
Control Voltage Rating [V _{dc}]	24 ÷ 220
Auxiliary Contact Blocks	Max 2 (1 NO + 1 NC or 2 NO)
Block Type*	SL
Arc chute Material	Ceramic
Contact tips material*	S6

* For details please refer to dedicated technical note

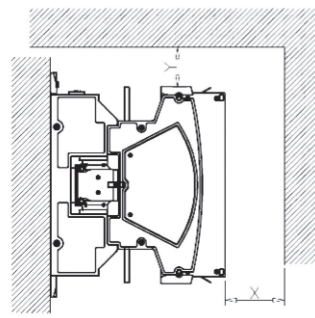
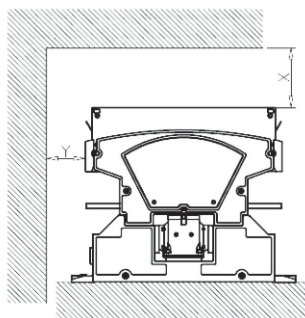
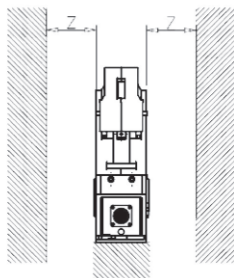
Description

Contactors with double interruption in air, electromagnetic control by double winding coil. Single state functioning. Reference standard IEC 60077.

Electrical Characteristics

Rated Operational Voltage [V _{ac} / V _{dc}]	1500
Max Operational Voltage [V _{ac} / V _{dc}]	2000
Rated Insulation Voltage [V]	2000
Conventional Free Air Thermal Current [A] at 75°C	1000
DC-Rated Operational Current (τ=15ms) [A]	
2000V	600
1000V	1200
DC-Maximum Breaking Capacity (τ=15ms) [A]	
2000V	1500
1000V	3000
AC-Maximum Breaking Capacity (cosφ=0,8; 50Hz) [A]	
2000V	1500
1000V	3000
Component Category / Operational Frequency Class	A2 / C3
Short Circuit Withstand Capacity for 5ms [kA]	20
Critical Current Range [A]	NONE
Fault Making Capacity [kA]	12
Blow Out Circuit Type	Indirect with Arcing Contact

Minimum clearances
from metal parts [mm]
X = 330; Y = 100; Z = 30



Switches

LTCH10001*A03

Mechanical Characteristics

Mechanical Endurance (cycles)	2x10 ⁶
Shock and Vibrations (IEC61373)	Cat.1 - Class B
Weight [kg]	10

Control Circuit

Control Voltage Range	0.7U _c ÷ 1.25U _c
Power Consumption (U _c and T = 20°C) at Pick Up - when Holding [W]	300 - 10
Mechanical Operation Time (U _c and T = 20°C) when Closing - Opening [ms]	150 - 40
Time Constant (L/R) at Pick Up - when Holding [ms]	10 - 115
Electrical Connections	Burndy connector 12 pins

Auxiliary Contacts

Tips material	Solid Silver (Gold plating opt)
Rated Operational Voltage [V _{ac} / V _{dc}]	250
Rated Current [A]	10
Minimum Switching Current at 16V _{dc} [mA]	20
Electrical Connections	Fast-on 6.35 x 0.8mm (screw M4 opt.)

Environmental Conditions

Stock Temperature Range	-50°C ÷ +85°C
Operational Temperature Range	-40°C ÷ +75°C
Pollution Degree - Overvoltage Category (EN 50124-1)	PD3 - OV3
Max Altitude without Performance Derating [m]	1500

