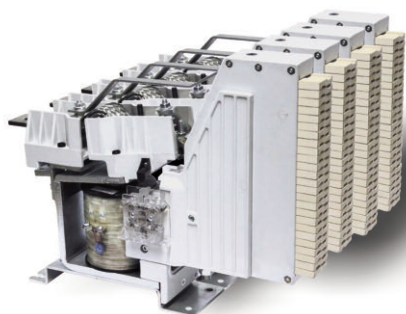


Switches



LTHS08004SAA0

Type	LTHS 800
Number of Poles	4 NO
Mounting Position	Horizontal - Vertical
Control Voltage Rating [V _{dc}]	24 ÷ 220
Auxiliary Contact Blocks	Max 4 x (1 NO + 1 NC or 2NO)
Block Type*	SK - SL - LP - RK
Arc chute Material	Ceramic
Contact tips material*	S6

* For details please refer to dedicated technical note

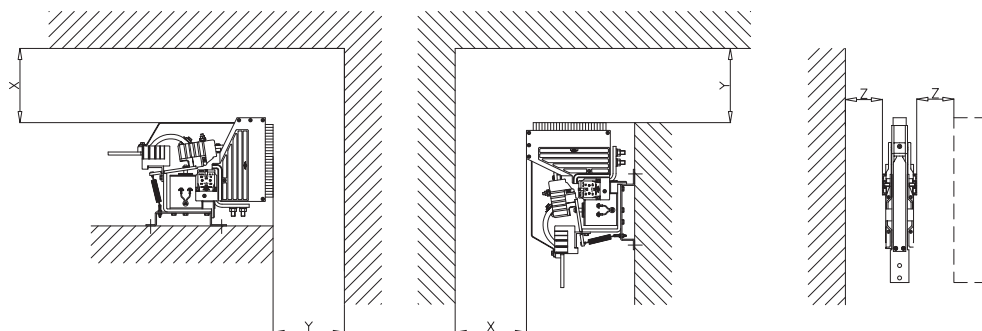
Description

Contactor with single interruption in air, electromagnetic control by full power coil. Single state functioning. Reference Standard IEC 60077.

Electrical Characteristics

Rated Operational Voltage [V _{ac} / V _{dc}]	1500
Max Operational Voltage [V _{ac} / V _{dc}]	2000
Rated Insulation Voltage [V]	2000
Conventional Free Air Thermal Current [A] at 75°C	800
DC-Rated Operational Current (□=15ms) [A]	
1500V	1100
750V	2200
DC-Maximum Breaking Capacity (□=15ms) [A]	
1500V	1800
750V	3600
AC-Maximum Breaking Capacity (cos□=0,8; 50Hz) [A]	
1500V	2200
750V	4500
Component Category / Operational Frequency Class	A2 / C3
Short Circuit Withstand Capacity for 5ms [kA]	12
Critical Current Range [A]	< 50 (U > 1500V _{dc})
Fault Making Capacity [kA]	7.2
Blow Out Circuit Type	Indirect

Minimum clearances
from metal parts [mm]
X = 300; Y = 80 ; Z = 40



Switches

LTHS08004SAA0

Mechanical Characteristics

Mechanical Endurance (cycles)	2x10 ⁶
Shock and Vibrations (IEC61373)	Cat.1 - Class B
Weight [kg]	38.5

Control Circuit

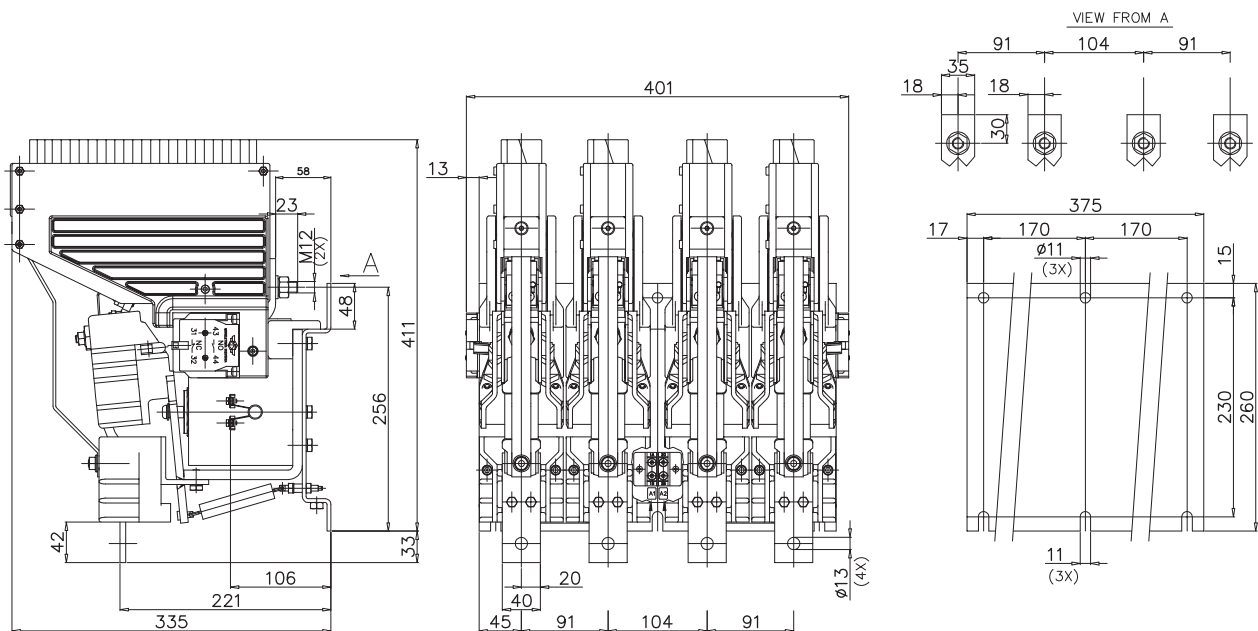
Control Voltage Range	0.7U _c ÷ 1.25U _c
Power Consumption (U _c and T = 20°C) at Pick Up - when Holding [W]	110 - 110
Mechanical Operation Time (U _c and T = 20°C) when Closing - Opening [ms]	220 - 40
Time Constant (L/R) at Pick Up - when Holding [ms]	230 - 190
Electrical Connections	Fast-On 6.35x0.8mm - Screw M4

Auxiliary Contacts

Tips material	Solid Silver (Gold plating opt)
Rated Operational Voltage [V _{ac} / V _{dc}]	250
Rated Current [A]	10 (RK= 0.5)
Minimum Switching Current at 16V _{dc} [mA]	20
Electrical Connections	Fast-On 6.35x0.8mm - Screw M4

Environmental Conditions

Stock Temperature Range	-50°C ÷ +85°C
Operational Temperature Range	-40°C ÷ +75°C
Pollution Degree - Overvoltage Category (EN 50124-1)	PD3 - OV3
Max Altitude without Performance Derating [m]	1500



Rev.01 11/2010

bitsadv.com