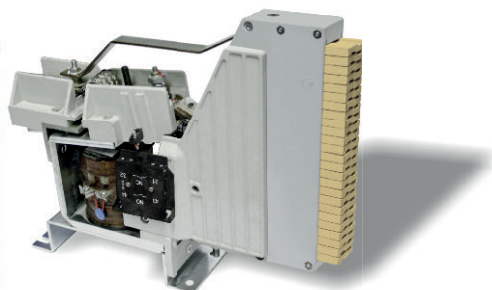


# Switches

## LTHS06501\*A02



Type	LTHS 650
Number of Poles	1 NO
Mounting Position	Horizontal - Vertical
Control Voltage Rating [V <sub>dc</sub> ]	12 ÷ 220
Auxiliary Contact Blocks	Max 4 x (1 NO + 1 NC or 2 NO)
Block Type	SL
Arc chute Material	Polyester Resin - Ceramic
Contact tips material	S6

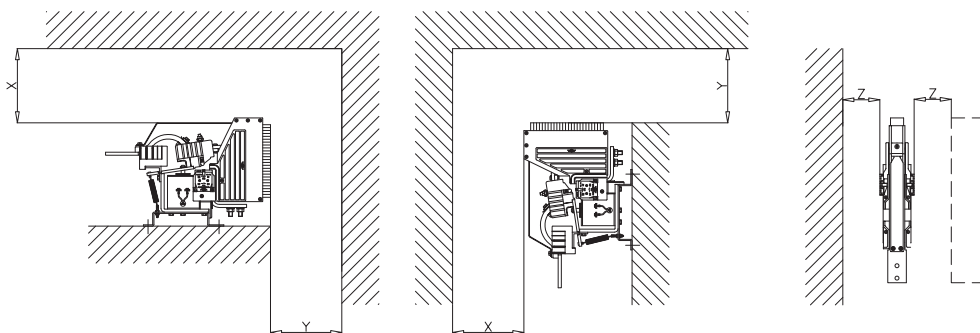
### Description

Contactor with single interruption in air, electromagnetic control by full power coil. Single state functioning.  
Reference Standard IEC 60077.

### Electrical Characteristics

Rated Operational Voltage [V <sub>ac</sub> / V <sub>dc</sub> ]	1500	
Max Operational Voltage [V <sub>ac</sub> / V <sub>dc</sub> ]	2000	
Rated Insulation Voltage [V]	2000	
Conventional Free Air Thermal Current [A] at 75°C	650	
DC-Rated Operational Current (τ=15ms) [A]	Polyester Resin arc chute	Ceramic arc chute
1500V	600	900
750V	1300	1850
DC-Maximum Breaking Capacity (τ=15ms) [A]		
1500V	750	1500
750V	1500	3000
AC-Maximum Breaking Capacity (cosφ=0,8; 50Hz) [A]		
1500V	950	1850
750V	1850	3750
Component Category / Operational Frequency Class	A2 / C3	
Short Circuit Withstand Capacity for 5ms [kA]	12	
Critical Current Range [A]	< 50 (U > 1500V <sub>dc</sub> )	
Fault Making Capacity [kA]	7.2	
Blow Out Circuit Type	Indirect	

Minimum clearances  
from metal parts [mm]  
X = 80; Y = 300; Z = 40



# Switches

LTHS06501\*A02

## Mechanical Characteristics

Mechanical Endurance (cycles)	2x10 <sup>6</sup>
Shock and Vibrations (IEC61373)	Cat.1 - Class B
Weight [kg]	14

## Control Circuit

Control Voltage Range	0.7U <sub>c</sub> ÷ 1.25U <sub>c</sub>
Power Consumption (U <sub>c</sub> and T = 20°C) at Pick Up - when Holding [W]	50 - 50
Mechanical Operation Time (U <sub>c</sub> and T = 20°C) when Closing - Opening [ms]	210 - 40
Time Constant (L/R) at Pick Up - when Holding [ms]	170 - 190
Electrical Connections	Fast-On 6.35x0.8mm - Screw M4

## Auxiliary Contacts

Tips material	Solid Silver (Gold plating opt)
Rated Operational Voltage [V <sub>ac</sub> / V <sub>dc</sub> ]	250
Rated Current [A]	10
Minimum Switching Current at 16V <sub>dc</sub> [mA]	20
Electrical Connections	Fast-On 6.35x0.8mm - Screw M4

## Environmental Conditions

Stock Temperature Range	-50°C ÷ +85°C
Operational Temperature Range	-40°C ÷ +75°C
Pollution Degree - Overvoltage Category (EN 50124-1)	PD3 - OV3
Max Altitude without Performance Derating [m]	1500

