

Switches



LTHS04011*B01

Type	LTHS 400
Number of Poles	1 NC
Mounting Position	Horizontal - Vertical
Control Voltage Rating [V _{dc}]	12 ÷ 220
Auxiliary Contact Blocks	Max 4 (1 NO + 1 NC or 2 NO)
Block Type*	SK - SL - LP - RK
Arc chute Material	Polyester Resin - Ceramic
Contact tips material*	S6

* For details please refer to dedicated technical note

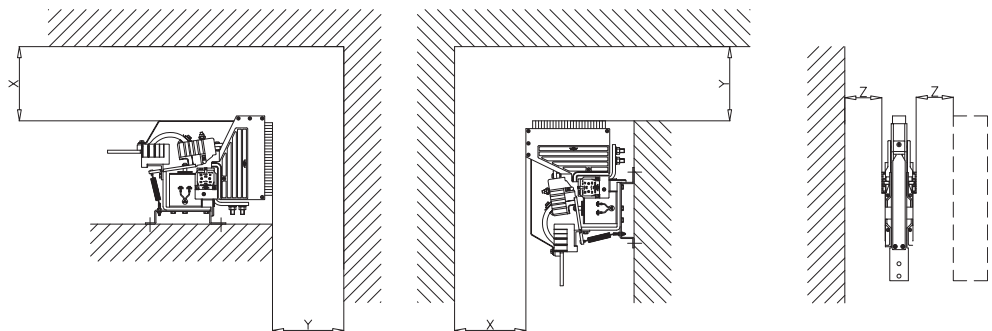
Description

Contactor with single interruption in air, electromagnetic control by full power coil. Single state functioning. Reference Standard IEC 60077.

Electrical Characteristics

Rated Operational Voltage [V _{ac} / V _{dc}]	1500	
Max Operational Voltage [V _{ac} / V _{dc}]	2000	
Rated Insulation Voltage [V]	2000	
Conventional Free Air Thermal Current [A] at 75°C	400	
DC-Rated Operational Current (τ=15ms) [A]	Polyester Resin arc chute	Ceramic arc chute
1500V	120	190
750V	380	560
DC-Maximum Breaking Capacity (τ=15ms) [A]		
	280	350
	700	980
AC-Maximum Breaking Capacity (cosφ=0,8; 50Hz) [A]		
	420	560
	840	1400
Component Category / Operational Frequency Class	A2 / C3	
Short Circuit Withstand Capacity for 5ms [kA]	7	
Critical Current Range [A]	< 50 (U > 1500V _{dc})	
Fault Making Capacity [kA]	4.2	
Blow Out Circuit Type	Indirect	

Minimum clearances from metal parts [mm]
X = 80; Y = 210; Z = 40



Switches

LTHS04011*B01

Mechanical Characteristics

Mechanical Endurance (cycles)	2x10 ⁶
Shock and Vibrations (IEC61373)	Cat.1 - Class B
Weight [kg]	13

Control Circuit

Control Voltage Range	0.7U _c ÷ 1.25U _c
Power Consumption (U _c and T = 20°C) at Pick Up - when Holding [W]	40-40
Mechanical Operation Time (U _c and T = 20°C) when Closing - Opening [ms]	160 - 35
Time Constant (L/R) at Pick Up - when Holding [ms]	130 - 170
Electrical Connections	Fast-On 6.35x0.8mm - Screw M4

Auxiliary Contacts

Tips material	Solid Silver (Gold plating opt)
Rated Operational Voltage [Vac / Vdc]	250
Rated Current [A]	10 (RK= 0.5)
Minimum Switching Current at 16Vdc [mA]	20
Electrical Connections	Fast-On 6.35x0.8mm - Screw M4

Environmental Conditions

Stock Temperature Range	-50°C ÷ +85°C
Operational Temperature Range	-40°C ÷ +75°C
Pollution Degree - Overvoltage Category (EN 50124-1)	PD3 - OV3
Max Altitude without Performance Derating [m]	1500

